



HIGH TEMP ARTISANAL STONE PIZZA OVEN





PROJECT _____
 ITEM NO. _____
 NOTES _____

MODEL NUMBER: **NEO-1**

FEATURES

- Intuitive Programmable Touchscreen Control
 - 10 Recipes
 - Program Time, Temperature, Upper & Lower Bake Power
- Digital Temperature Control up to 842°F (450°C)
- 1" Thick Stone Interior Base
- Manual Steam Release Lever
- Fully Illuminated Interior (able to turn off light when not needed)
- Operates in °F or °C by a press of a button as needed
- Efficient heating system allowing for less CO₂ production



CONSTRUCTION

- Stainless Steel Construction
- Cool Touch Wood Handle

CLEARANCES

- 1" (25mm) Sides & Back
- 2" (102 mm) Bottom
- 4" Sides & Rear

ACCESSORIES

- Artisan Stone Deck Cleaning Brush (MPA085)
- Stainless Steel Equipment Stand (RPOT)

WARRANTY

- One Year Labor & Two Year Parts



Model	Crated Weight	Overall Dimensions			Interior Dimensions			Threshold Dimensions	
		W	D	H	W	D	H	H	W
NEO-1	90 (41)	25 1/2" (648)	23 1/16" (588)	13 3/4" (349)	15.8" (402)	15.8" (402)	4" (102)	4" (102)	15" (381)

Model	Electrical System (ground wire not included)						
	Volts	Phases	Amps	kW	Wires*	Hz	NEMA
NEO-1	230	1	15.2	13	2	50/60	-
	240	1	14.5	13	2	50/60	-

SPECIFICATIONS SUBJECT TO CHANGE WITHOUT NOTICE

KCL & REVIT DRAWINGS UPON REQUEST

REVISION 2 | 12/11/2025

Follow Us



Doyon

5600 13th Street, Menominee, MI 49858

906.863.4401 | 800.338.9886 | www.doyon.qc.ca





PROJECT _____

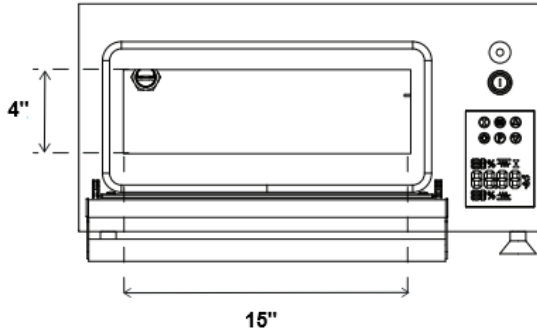
ITEM NO. _____

NOTES _____

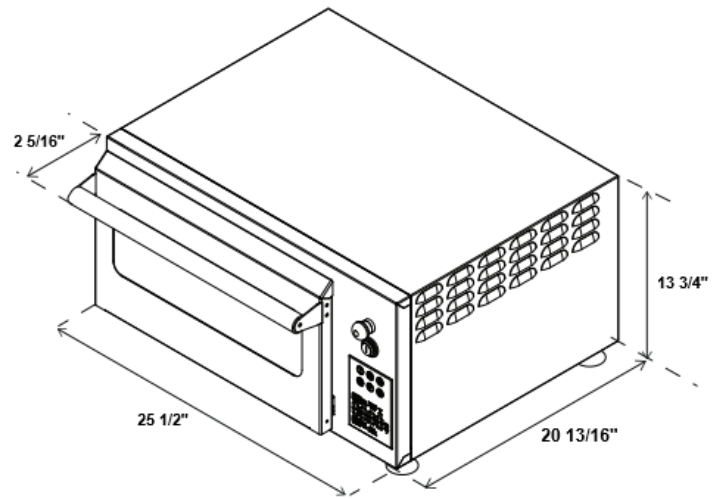
MODEL NUMBER: **NEO-1**

DRAWINGS

Threshold Dimensions



Overall Dimensions



PRODUCTION CAPACITY

Product (Fresh State)	Bake Time	Bake Temp (°F)	Bake Temp (°C)	Quantity Produced
15" Round Fresh Dough	90 Seconds	650	343	40
12" Round Fresh Dough	90 Seconds	650	343	40
10" Round Fresh Dough	90 Seconds	650	343	40
8" Round Fresh Dough	90 Seconds	650	343	40

